

## Chapter 11. Siding and Soffit

- 11.1 SIDING PREP
- 11.2 INSTALLING HOUSE SIDING
- 11.3 INSTALLING SHED SIDING
- 11.4 INSTALLING SOFFIT
- 11.5 INSTALLING FASCIA
- 11.6 INSTALLING SHUTTERS
- 11.7 SITE CLEANUP

### Tools needed by volunteers:

Hammer  
Nail apron  
Tape measure

### Materials needed:

Vinyl siding  
Vinyl corners  
J-channel  
Undersill trim  
F-channel  
Soffit  
Fascia  
1½” & 2½” Siding nails  
Soffit nails

### Tools and equipment needed:

Siding trailer  
Generator  
Extension cords  
Tin snips  
Crimper  
Siding hook  
Speed square  
Utility knife  
Slot tool  
Drill w/4¼” hole saw  
Planks  
Ladders

### Personal Protection Equipment:

Safety glasses (required)

**NOTE:** Figures 11-5, 11-8, and 11-9 were provided courtesy of the Vinyl Siding Institute, Inc. Figures 11-2, 11-6 and 11-11 are modified versions of figures provided courtesy of the Vinyl Siding Institute, Inc.

**Safety First! Review the Safety Checklist before performing tasks in this chapter.**

## 11.1. SIDING PREP

### 11.1.1. Siding Pre-Installation Steps

1. Continuing from Section 4.9, install the remainder of the wall foamboard, including any required above the porch if there is one at the gable end. Verify that all foamboard joints are taped. DO NOT tape any horizontal seams where house wrap exits from inside the foamboard. If necessary, use a few small pieces of tape to hold the bottom edge of the house wrap in place.

### 11.1.2. J-Block Installation

1. Verify that all J-blocks for two exterior lights, two outlets, and all exterior pipes have been installed (per House Plan).
2. Install electrical outlet J-blocks, located per House Plan. Wall mounted J-blocks should be located where there is OSB sheathing. Locate the J-block with a ½” gap between the J-block and a stud, and with a ½” gap between the box and the bottom plate. The gaps allow for spray foam insulation. Attach using 2½” siding nails through a side flange into the stud, and through the bottom flange into the bottom plate. Attach the other two sides with 1⅝” drywall screws through the OSB. Check for level throughout installation.

**NOTE:** If there is no OSB where the J-block must be mounted, consult the Construction Supervisor or Site Leader regarding additional support.

3. Use the House Plan to locate exterior hose faucet J-blocks. From inside the basement, drill a ¼” hole through the rim board, with the hole center located 2” below the underside of the floor deck, centered between I-joists. Then locate and mark the hole on the exterior wall. Before installing the J-block, cut pieces of ½” or ¾” OSB or rim board, as required, to fill the depth of the back of the J-block. Install the J-block and OSB/rim board with its center aligned with the ¼” hole in the rim board. Ensure the J-block is level before nailing.
4. The centers of wall-mounted light J-blocks are located 12” below the top edge, and 12” from the outside edge of the exterior door brickmold, unless there is to be a window shutter on that side of the door. If so, locate the J-block centered between the brick molding and the edge of the shutter. If so, and the window is less than 43” from the door molding (assumes shutters are 15” wide), make a mark 15” from the window edge, and center the J-block between the door brickmold and this mark. Note the location on the inside wall next to the door for the electricians to find.
5. Install a dryer vent by drilling a 4⅛” hole through the rim board and attach the vent. See House Plan for location.

6. Verify whether there will be a second bath. If so, install the 6" vent fan outlet in the proper location.
7. All J-blocks must be air sealed using blue Weathermate™ Straight Flashing tape applied shingle-style. Keep the tape edge a minimum of ½" away from the inside edges of the J-block opening so the tape won't show after siding installation. Nails, slots and all edges must be covered by the tape

### 11.1.3. Siding Layout

1. Refer to the House Plan, or Construction Supervisor, to determine whether there are any special siding items such as shakes, white band, gable vent, J-blocks, etc., and note those locations with a marker on the exterior foamboard.
2. At each corner on the eave sides of the house, use a framing square to mark the bottom of the sub-fascia on the wall. With the blade (long leg) firmly against the wall, slide the square up until the tongue (short leg) contacts the bottom of the sub-fascia, and make a mark on the wall at the top of the square (this will be the **bottom of the gable corner blocking**) and ½" below the top of the square (this will be the **bottom of the soffit F-channel**). Drive an 8d nail into the corner stud at the vertical center of the ½" mark.
3. Locate marks as follows, making them very close to the corner so they can be easily transferred to the gable side of the house.
  - a. Measure the height of several starter strips, to verify they are consistent. To determine the location of the **top of the starter strip**, subtract the starter strip width from 102½".

**EXAMPLE:** For a starter strip width of 2¼",  $102\frac{1}{2}" - 2\frac{1}{4}" = 100\frac{1}{4}"$ .

- b. Hook a tape measure on the nail at the bottom of the F-channel location from Step 1 above and mark the calculated distance below the nail (in the above example, 100¼").
- c. Mark the location of the **top of the skirting** 1" below the top-of-starter-strip mark.
- d. Repeat Steps a-c at each corner.

**NOTE:** This procedure assumes 12 siding courses at 8" each (96") and that the top course will be 6½" tall, to total 102½". Non-standard houses with a different wall height will require adding or subtracting increments of 4" (one half of a course-height) to the 102½" dimension

4. Snap a chalk line between all three sets of marks (bottom of F-Channel, top of skirting, top of starter strip) along both eave walls, being sure the chalk line is very taut. If not, the chalk line will not be straight. Where there is a porch, underground

electrical service or other obstacle that interferes with snapping the lower chalk lines, once the top chalk line has been snapped, measure down from the snapped line to locate the lower lines at each side of the interference. Then snap chalk lines from these marks to the corresponding corner.

5. Using all the corner marks, snap lines on both gable ends. (Be sure the chalk line is very taut.) If there is a gable end porch or other interference, see Step 4 above for instructions on snapping the lower two lines on either side of the interference.

#### 11.1.4. Installing Metal Skirting

1. Consider the foot traffic around the house to determine how to hide as many seams as possible.

**EXAMPLE:** If installing on the driveway side, start at the rear of the house with the first piece. Then work toward the front. This will hide the seams when the house is viewed from the street up the driveway.

2. Install metal skirting around the house. Using the “nail slot punch tool”, punch slots every 12”-18” and 1” from the top. Do not install any piece longer than 12’. Any piece longer than 12’ will buckle and get wavy when the summer sun heats it up and expands it.
3. Install skirting flush with the skirting chalk line (created in Section 11.1.1.3) with care. Nail with 2½” siding nails into the center of the pre-punched slots. **DO NOT** nail tight. Leave a ¼” gap between nail head and skirting. The skirting will hang on the nails the same way the siding does.
4. Overlap all seams by 3” and hold them back from each corner and at egress wells by 1-2”. If a vertical edge will show, create a hem on the exposed end to improve its appearance and strength.

#### 11.1.5. Installing Skirting Corners

1. Bend corner pieces with hems on both vertical edges. Install corners using 2½” siding nails.

**NOTE:** Make sure hems are folded **TIGHT**. Outside corners should be bent slightly less than 90° for snug fit.

2. Standard outside corners are finished with a 5”w x 5”w (L-shaped) x 12”corner (including the 1” hem on each visible edge).
3. Corners used next to egress wells need a finished 2”w x 5”w (L-shaped) x 12” corner. Install these corners 1” from the egress well wall to allow the cover to contact the foundation when installed.

4. The skirting over egress wells is a two-piece system that includes corner bends. Measure the width of the well (outside to outside). Divide that number by 2 and add 2" to obtain the length for each of the two pieces. Each piece will be 3" x (distance from concrete foundation to outside of house wall) x the calculated length.

### 11.1.6. Installing Starter Strip

1. Keep the starter strip 4" short of the corners. Nail the top of the starter strip snug to the chalk line on the house every five slots using 2½" siding nails except when installing directly onto OSB sheathing then use 1½" siding nails. Nail in the top slots only.
2. After installation, use a string line or sight down the length of the starter strip to check for rises and dips. Straighten the starter strip if rises and dips exceed ¼". Use a speed square or similar method at each corner to verify that the bottom edges of the starter strip are at the same elevation.
3. Measure the distance from the top of the nail flange to the bottom of the top lock (see Figure 11-10). This is normally 1¼" to 1¾". Add this measurement to 8" and 40" to obtain the height of the lower and upper quality lines in Step 4, below.
4. Create quality lines: At each corner of the house, and at one or two locations in between, make marks at the heights calculated in Step 3, above, measuring from the bottom of the starter strip. Snap horizontal chalk lines at both sets of marks, and verify that the middle marks are within 1/16" of the chalk line. If they are not, it means that the starter strip is not straight, or the marks were poorly measured, or the chalk line was not taut enough when snapping. Correct by rechecking that the starter strip is straight and adjust as required until the middle measurement is the same as both ends (and re-snap the chalk lines if required). If the starter strip was straight, then re-check and re-snap the chalk line as needed. These quality lines represent the top (of the nailing flange) of the first and fifth rows of siding.

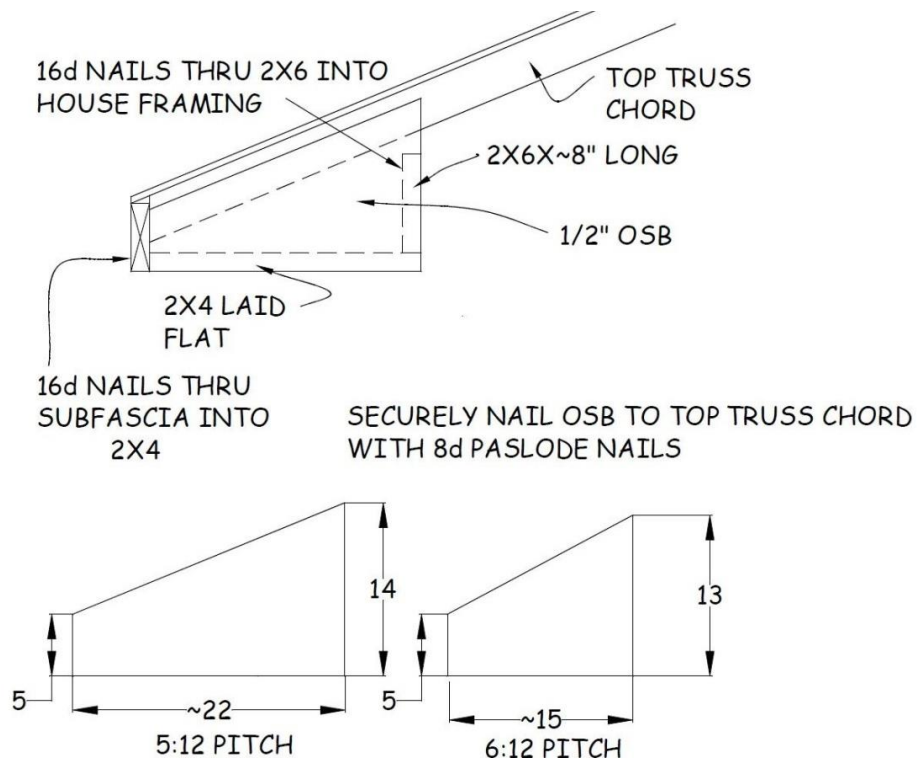
### 11.1.7. Installing Gable End Corners

1. At each corner of the house, measure from the eave end sub-fascia to the house wall (inside measurement). Measure every corner because the measurements at each corner can vary slightly.

**NOTE:** Most measurements will be between 21" and 22" in length for 5:12 pitch roofs, and about 15" for 6:12 pitch roofs.

2. Gable end corners are built using one layer of ½" OSB (see Figure 11-1). For 5:12 pitch roofs (most common) take some scrap OSB, at least 14" wide, and as long as the measurement determined in Step 1 above (e.g. 22" length). From the nominal 22" length side, measure up from one edge of the OSB 14" and make a mark. Measure up the other edge 5" and make a mark. Draw a line to connect these two marks and cut along the line.

- For 6:12 pitch roofs take some scrap OSB, at least 13" wide, and as long as the measurement determined in Step 1 above (e.g. 15" length). From the 15" side, measure up one edge 5", and the other edge 13", draw a line to connect the marks, and cut.



**Figure 11-1. Gable End Corner.**

- Cut a scrap 2x4 to the same length (eave to wall measurement from Step 1) as the OSB.
- Cut a scrap 2x6 to 8".
- Assemble the gable end corner by flushing the wide edge of the 2x4 with the end of the 2x6 and nailing them together with two 3¼" Paslode nails.

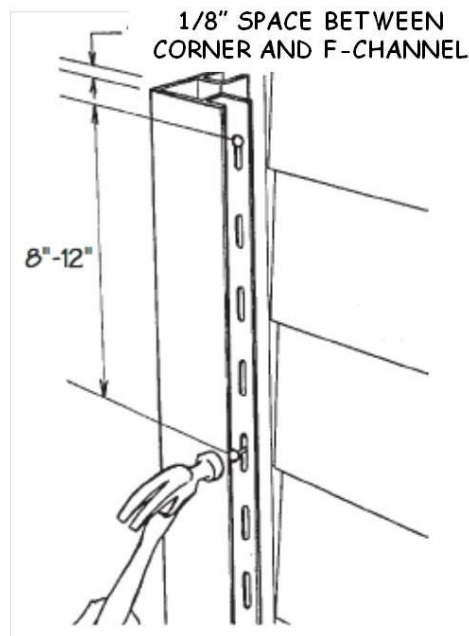
**NOTE:** Before assembly, double check the orientation of the frame pieces and OSB.

- Nail the OSB to the 2x4 and the 2x6 with six 2¾" Paslode nails, using either factory edges or a framing square to keep the frame pieces square to each other (see Figure 11-1).
- Lift the assembly into place between the sub-fascia and wall. The OSB that matches the angle of the roof will be up and over the outside of the gable truss tail.
- Line up the bottom of the 2x4 frame with the bottom of the sub-fascia and the top mark on the house wall.

10. Nail the OSB to the gable truss tail with five  $2\frac{3}{8}$ " Paslode nails.
11. Line up the gable corner block so it is flush with the corner of the house.
12. Nail through the corner 2x6 into the house framing with two  $3\frac{1}{4}$ " Paslode nails. Make sure to nail into solid framing and not just the foamboard or the OSB.
13. Verify that the 2x4 is flush with the bottom of the sub-fascia; nail through the sub-fascia into the 2x4 with two  $3\frac{1}{4}$ " Paslode nails.

### 11.1.8. Corners

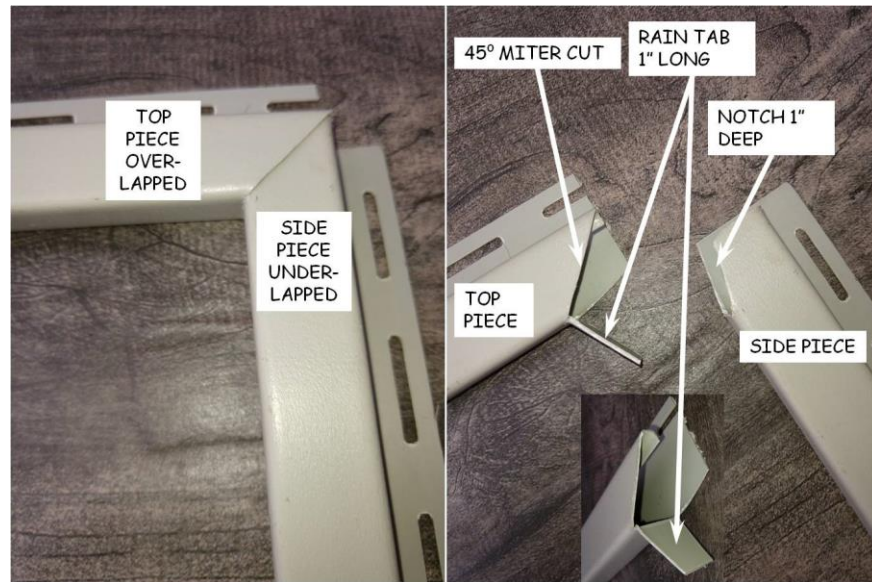
1. Use the corner post jig to mark nailing location of corner posts. Install corners so their bottoms run 1" below the bottom of the starter strip.
2. Nail snugly the top end of each flange with a nail in the TOP of the slot, then the bottom and middle of each flange with nails in the center of the slots (snugly). Step back to assess straightness and squareness; adjust as required. Then, nail snugly in the center of every fifth slot, making certain the fit remains square, straight and plumb. Use  $2\frac{1}{2}$ " siding nails, (except when being applied directly over OSB sheathing, then use  $1\frac{1}{2}$ " siding nails) being sure to hit framing or OSB sheathing.



**Figure 11-2. Siding Corner.**

### 11.1.9. J-Channel

1. J-channel is installed around doors and vents, gables (eave to peak), above the porch roof, and on the porch gable after the porch ceiling soffit and fascia have been installed, using 2½" siding nails every five slots (snugly), (except when being applied directly over OSB sheathing, then use 1½" siding nails) being sure to hit framing or OSB sheathing.



**Figure 11-3. J-Channel Upper Corner Detail.**

2. Before installing J-channel around gable-end exterior doors that are not under a porch roof, bend and install a drip cap above the door's top brick mold. Cover the top edge and nails of the drip edge with a strip of Weathermate™ Straight Flashing tape.
3. For door side pieces, measure from the top of the brickmold to the porch cement, and add 1". Cut J-channel side pieces to that length. Cut a 1" notch in the top end as shown in Figure 11-3. Install the side pieces with the bottom of the notch flush with the top of the brickmold, nailing snugly every five slots.
4. Cut the top piece to length so that both ends are flush with the exposed face of the side pieces. Cut a rain tab and 45° miter as shown and install the top piece with the top of the side pieces inserted behind the miter cut of the top piece. Nail snugly every four slots.
5. Above the porch roof, install the J-channel ¼" above the shingles. Use a long strip of ¼" thick underlayment as a spacer to ensure a uniform gap. Tape the top edge of the J-channel, covering the nail slots, using Weathermate™ Straight Flashing tape. Then tape the top edge of the step flashing, covering the top edge of the J-channel tape shingle-style.



**NOTE:** Use a single strip of 6" wide Weathermate Straight Flashing tape, if possible, to cover both joints.

6. Cut a tab on each end of the top piece. Install top piece (nailing snugly every five slots) and fold the tabs down into the vertical pieces (see Figure 11-3) so that water will run off.

#### 11.1.10. Undersill Trim

1. Undersill trim (or "utility trim" as noted in Figure 11-4) is installed under the soffit F-channel on eave sides of the house. Under soffit F-channel, nail snugly every five slots using 2½" siding nails (use 1½" siding nails when applying directly over OSB sheathing) being sure to hit framing or OSB sheathing.
2. Where a joint is required in the undersill, prepare one end as shown in Figure 11-4, and insert into the end of the other piece to make a butt joint.
3. Undersill trim can be used to add strength to cut areas of siding under and above windows and above doors, if the cut edge is 2" or more from the center butt or top lock. Cut the trim to the same length as the siding cut-out, and slide into place over the cut edge (do NOT nail to the house).



**Figure 11-4. Undersill ("Utility") Trim.**

4. Undersill trim is not needed around J-blocks.
5. To bring the siding forward and tight to the front inside surface of J-channel for a neat look, and to keep debris from getting into the J-channel, cut roughly 1" wide strips of ½" blue foam or use the nailing flange/top lock of scrap siding pieces. Insert this material behind the bottom of the cut section of the siding (between the J-channel nailing flange and the back of the siding). Seat the foam or nailing flange snugly to the bottom of the J-channel.

### 11.1.11. Porch Soffit and Light Prep

1. Fur down the porch framing as determined by the Construction Supervisor. Determine the thickness of the furring required and attach to the bottom of the porch framing using 3¼" Paslode or 16d nails.
2. For each light location in the porch ceiling, create a 22½"x22½" frame using four 2x4s or 2x6s. Cover the frame with a piece of ¾" OSB or two layers of ½" OSB 22½"x22½" square nailed to it using 2⅜" Paslode or 8d nails.
3. Install the box OSB-side down, under the trusses centered at the location of the porch light(s) specified by the House Plan, with the top of the OSB a minimum of 7" below the bottom of the bottom truss chord. Hang the box(es) from the trusses using vertical 2x4s nailed to the trusses using 3¼" Paslode or 16d nails.

**NOTE:** Soffit will be installed against the bottom of the OSB so electricians can easily drill a hole thru the soffit and the OSB to mount the ceiling porch can/light.

4. To support the center of the porch soffit, install a 2x4 with the wide face vertical, perpendicular to the trusses, midway between the house wall and porch framing. Align the bottom edge of the 2x4 with the bottom of the furred porch framing and the light box(es) installed in Step 3 above. Hang the support 2x4 from the trusses using vertical 2x4s nailed to the trusses using 3¼" Paslode or 16d nails.

### 11.1.12. F-channel

1. Install F-channel on eave and gable ends by lining up the BOTTOM of the F-channel to the chalk-line created in Section 11.1.3.3 and nail snugly every 12 -18", using 2½" siding nails, (except when being applied directly over OSB sheathing, then use 1½" siding nails) being sure to hit framing or OSB sheathing. F-channel will also be needed under the porch ceiling area.

### 11.1.13. Siding

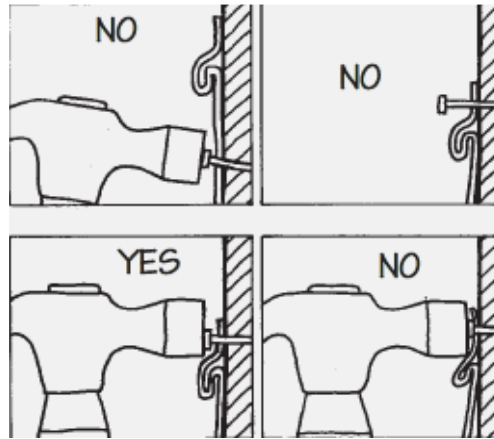
1. The last step in Siding Prep is to install two courses of siding on all walls of the house. This will ensure that each side of the house has started out straight, that the layout is accurate, and that the first course has matched the quality line. This will further ensure that the siding elevation matches at each corner.

## 11.2. INSTALLING HOUSE SIDING

### 11.2.1. Rules for Hanging Siding

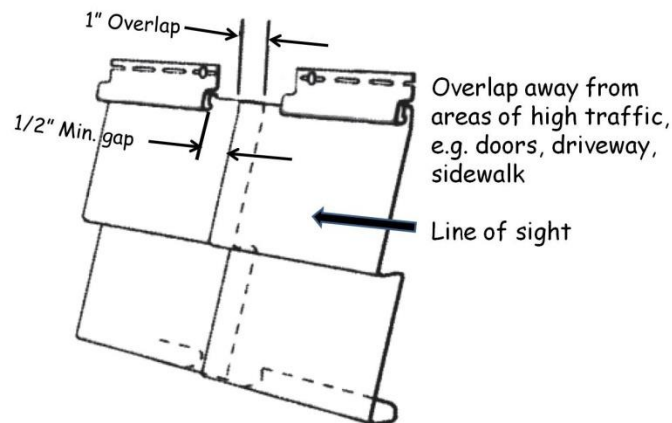
1. Vinyl siding expands and contracts due to temperature changes. Never drive nails tight. The siding panels must hang on the nails and be permitted to move from side

to side. Leave a 1/8" gap (the thickness of a nickel) between the nail head and the siding slot.



**Figure 11-5. Siding Nail Head Gap.**

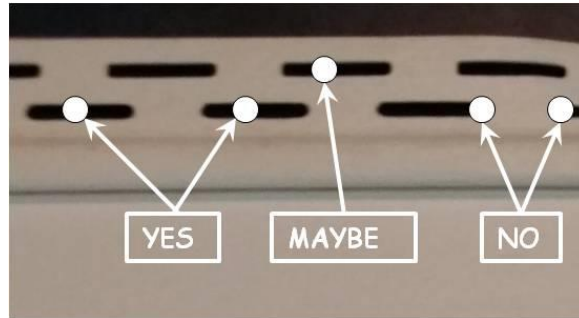
2. Install siding with a 1" overlap between pieces and a minimum of 1/2" space between the top lock of the underlapping piece and the end of the overlapping piece (see Figure 11-6). Maintain a 1/4" gap (3/8" when temperatures are below 40° F) at the corners (to allow for expansion) and ends of pieces, including corner posts, J-channel, J-blocks, windows, etc. Overlap the siding pieces such that in high traffic areas one cannot see into the overlapped joint.



**Figure 11-6. Siding Overlap.**

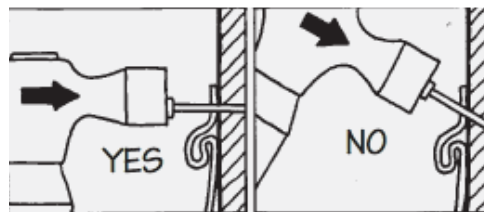
3. Whenever possible, use factory ends at overlaps to ensure adequate spacing for expansion between ends of the nailing flange/top lock. If a cut end must be used at a joint, create a factory-like end by trimming 1 1/2" from the nailing flange, top lock, and butt lock.
4. NEVER OVERLAP SIDING PIECES MORE THAN 1", OR RUN THE FACTORY (OR CUT) EDGE UNDER THE TOP LOCK OF THE ADJACENT UNDERLAPPING PIECE.

5. Always use 2½” siding nails, except when the siding is being installed directly over OSB (e.g., on a garage or shed). In those cases, use 1½” siding nails.
6. Always nail in the center of the slots in the lower row of slots and into a stud. Avoid nailing at angles: if a stud is not accessible from a slot in the lower row, use one of the offset slots in the upper row of slots.



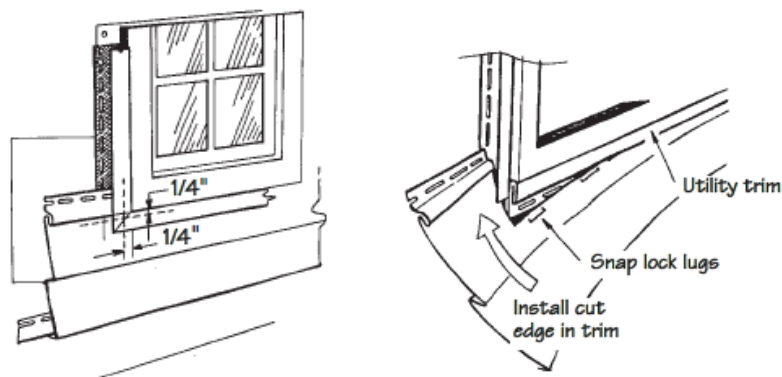
**Figure 11-7. Nail Location in Siding Slots.**

7. Always drive nails straight, never at an upward or downward angle.



**Figure 11-8. Proper Nailing Angle.**

8. Be sure to leave ¼” clearance when fitting siding around windows and other wall penetrations.



**Figure 11-9. Wall Penetration Siding Clearance.**

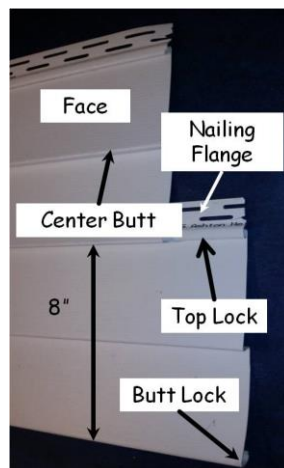
### 11.2.2. Hanging Siding

1. Install siding so that overlaps are not seen from the street or drive side of the house. Determine the length of the wall to be sided, and the starting end of the house based on the sightlines.
2. Start the first course with a piece that is the length indicated in Table 11-1 for the length of wall being sided. Keep installing full length pieces until a full length will not fit and then cut a piece to fit (minimum length is 3'). Begin the second course with the nominal length indicated in the table, then begin the third course with the length indicated. Repeat the pattern with the fourth, and subsequent, courses. This procedure should maintain a 3' stagger of the seams between courses, and maintain a minimum of 3' pieces.

**Table 11-1. Siding Starting Pieces Cut Lengths.**

Wall Length, Feet	Nominal Length of Siding Starting Pieces, Feet		
	First Course	Second Course	Third Course
25	10	7	4
26	10	7	4
28	12	9	6
30	12	9	6
32	10	7	4
34	12	9	6
36	11	8	5
38	10	7	4
40	12	9	6
42	12	9	6

3. As shown in Figure 11-10, the “Buttlock” of each course locks into the “Top Lock” of the course below.



**Figure 11-10. Siding Nomenclature.**

4. On the 8s: The visible portion of each siding course is 8" high (see Figure 11-10). For each new course, snap the buttlock onto the top lock of the previous course along the entire piece. Nail the ends and middle, then measure up from the **BOTTOM** of the first course to the **BOTTOM** of the course being installed. Each measurement should be a multiple of 8 (e.g. 8", 16", 24", 32"). At each nail position, before nailing, check the measurement and adjust up or down to an even multiple of 8, and finish nailing the entire piece. Recheck as necessary and adjust the position of the nailing flange and re-nail, if required. Small adjustments can be made by tapping the nail head up or down as required. When installing the first and fifth courses, be sure the top of the siding (the nail flange) just touches the quality line previously snapped (see Section 11.1.6.4) on the wall.

**NOTE:** When measuring, hold the tape vertically close to the measuring point, and be sure to observe the measurement with an eye at the same level as the measuring point to reduce parallax error.

5. As each piece is installed, pull along the top (nail flange) to ensure nails are in the studs; re-nail the siding if it pulls away. Slide the piece side-to-side to ensure there is at least 1/4" of movement each way.
6. Step back from the house at least 10' after every third course and look at the total appearance. Things to look for include:
  - Matching sides at the corners
  - No sagging rows
  - Minimal waves or no bulges
7. On eave walls, measure from the bottom of the F-channel to the bottom of the top lock of the last full-width row of siding at several locations and adjust the height of the last full-width row as required to produce a uniform gap. Subtract 1/8" (max) from that measurement, and rip the last course of siding to this measurement. The table saw with a 7/4" vinyl-cutting blade installed can be used to make the rip cut.

**WARNING:** Do NOT use the brake and utility knife to make this cut!

8. Crimp the cut edge at 24" intervals with side-by-side (2"-3" apart) pairs of opposite crimps (front and back). Hold the crimps about 2" away from each end so they don't interfere with overlaps. Snap siding into place while inserting the top edge and crimps into the undersill trim installed below the soffit F-channel. The piece should **EASILY** snap into the under sill with light to medium pressure. If it has to be **FORCED** into place either the width of the piece is too narrow or the crimps are too low on the piece. Cut a new, wider piece and/or set the crimps slightly closer (no more than 1/8") toward the cut edge of the piece.

**NOTE:** Use a 12" to 24" test piece before cutting each full piece.

9. On gable end walls, repeat Steps 1–7 until just before the siding reaches the top of the windows on the gable ends.

**NOTE:** Be sure to install the soffit and fascia under the porch ceiling prior to siding the porch gable.

10. Before the siding reaches the top of the windows on gable ends, secure the house wrap to the foamboard with Weathermate™ Construction tape. Pull the house wrap down tight, making sure it covers the nailing flange at the top of the windows, and hold the bottom edge down with 6" pieces of Weathermate™ Construction tape every 6'. Tape the vertical ends of the house wrap along the entire edge. Tape the ends (at each corner of the house) from top to bottom.
11. When the siding on the gable ends reaches the roof angle, a transition must be made to cut the ends of the siding pieces to the proper angle to fit into the J-channel. Use the siding angle jig to cut the proper angle.
12. Siding on porch gables begins with J-channel under the first course rather than starter strip.

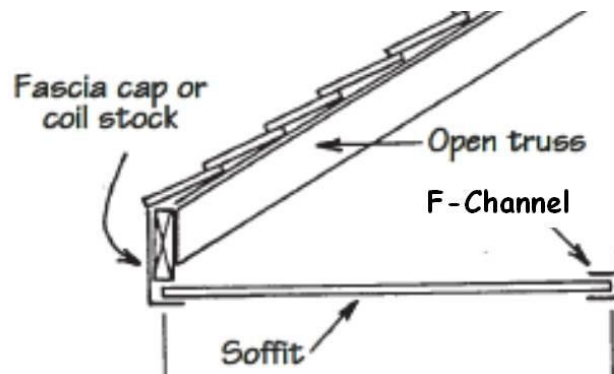
### **11.3. INSTALLING SHED SIDING**

1. In general, installing siding on a shed is done in the same manner as installing siding on a house except that the layout dimensions vary and 1½" siding nails are used.
2. Measure and start a nail ½" below the sub-fascia at each corner and snap a chalk line around the shed. This line represents the bottom of the F-channel.
3. Measure and start a nail at 78½" less the width of the starter strip (typically 2½"), below the F-channel nail at each corner and snap a chalk line around the shed. Nail the top of the starter strip flush to this line. This puts the bottom edge of the first piece of siding at 78½" down from the F-channel.
4. Measure the distance from the top of the nail flange to the bottom of the top lock (See Fig. 11-11). This is normally 1¼" to 1⅜". Add this measurement to 40" to obtain the height of the quality line. For each side of the shed at each corner, make marks at the height calculated, measuring from the bottom of the starter strip. Tack a nail into each of those marks and snap a Quality Control chalk line around the shed.
5. Cut corners 79" long, or ½" below the bottom of the starter strip.
6. J-channel around the door is installed the same way as around the house doors, but ends ½" below the starter strip. Measure from the top of the door brick mold to the bottom of the starter strip, add ½", and cut the J-channel to that length.
7. Install soffit and fascia on the eave sides and fascia on the gable ends.

## 11.4. INSTALLING SOFFIT

1. Start by installing soffit pieces on the eave side of the house. Measure from wall to outer edge of the sub-fascia and cut soffit pieces  $\frac{1}{4}$ " less than that dimension.
2. Install the first soffit piece with the tongue end into the gable end F-channel and the grooved end exposed. Using a soffit nail, nail the grooved end to the bottom of the sub-fascia. Then, nail through the two valleys toward each end of the soffit piece where it contacts the sub-fascia. The nail head does not need to be tight to the bottom of the valley.
3. Interlock the next piece by sliding the tongue end into the F-channel and exposed groove of the previous piece, making sure the soffit does not extend past the face of the sub-fascia. Check that it is square to the wall, and nail into the sub-fascia through the flange at the groove end of the piece, and the middle valley. Continue the length of the eave, checking for square every three or four pieces.

**NOTE:** To ease installation, open the sawn ends of the groove with a utility knife or screwdriver, and cut about  $\frac{1}{4}$ " at a 45° from the tongue ends.



**Figure 11-11. Eave Soffit.**

4. Install the porch ceiling soffit using one of the two patterns shown in Figure 11-12. While both are acceptable installation methods, the second pattern is easier to install. After installation, mark the location of porch ceiling lights on the soffit panels using painter's tape or marker.
5. When installing soffit on gable ends, start at the peak with the first piece bent down the middle. The installation process for one side of the gable will be different than described above, since the pieces will be installed by slipping the groove onto the installed piece's tongue, which is not nailed to the sub-fascia.



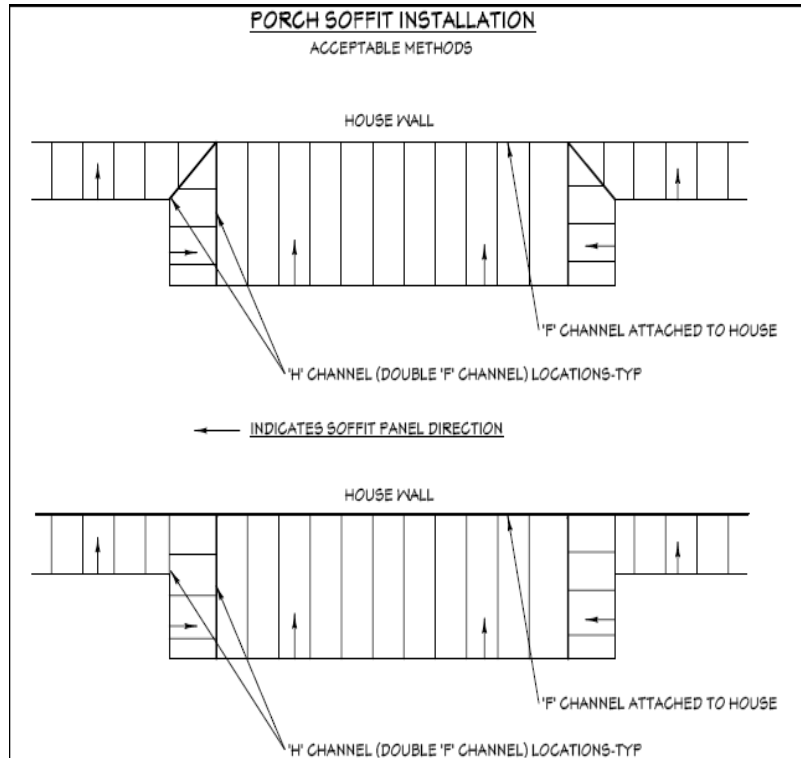


Figure 11-12. Porch Soffit.

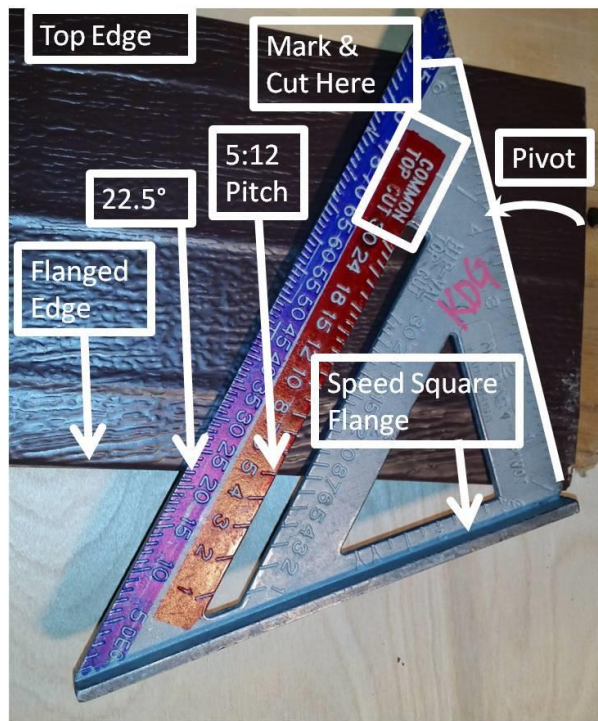
### 11.5. Installing Fascia

1. Install eave fascia first starting at the back of the house so overlaps are not seen from the front of the house. Overlap fascia pieces as required 1½”, with a factory edge exposed. Fascia pieces must be at least 60” long.
2. Nail about 24-30” apart and about 6” from each end (on a full piece, only 4-5 nails are required). Do NOT try to nail through overlapping flanges. Do NOT hit the corner of fascia with a hammer as it will “kink”.
3. Cut 1”-2” of the flange from the end of the fascia and bend a 1”-2” corner to fit over the corner of the gable sub-fascia. Trim the bottom corner from the bend to match the bottom edge of the gable sub fascia.
4. Push the fascia up under the gutter apron until the flange is snug to the soffit and drive a soffit nail through the fascia flange and soffit valley into the underside edge of the sub-fascia. This prevents nails from showing on the face of the fascia. Do not nail tightly; leave a ⅛” gap between the fascia and the head of the soffit nail. Make sure the fascia does not show “wrinkles” when installing.

**NOTE:** Another option is to pre-drill ⅛” holes into the fascia flange through the soffit valleys.

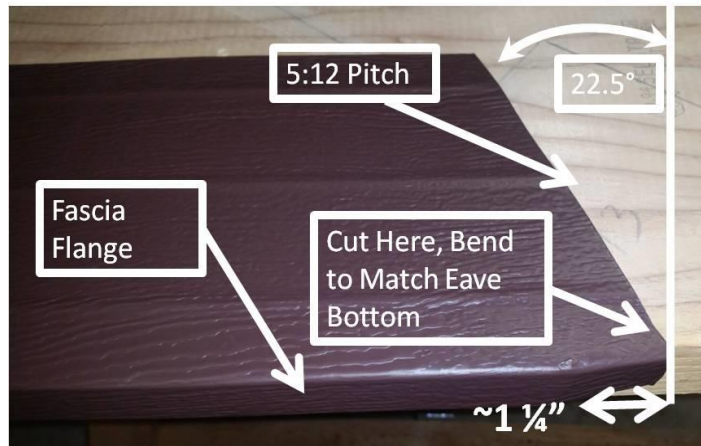
5. To finish the opposite end, repeat Step 3 above.

6. On gable ends, start at the bottom of the gable at the back of the house. Continue up the gable, shingle style, so overlaps will enable rain to wash off. At the peak, the front will overlap the back so the seam is less visible.
7. At the bottom of the gable end, the fascia must be cut at an angle to match the roof pitch. Determine the pitch from the house plan. In this example, it's 5:12. The lower end must be cut at this angle to match the eave. The point of this angle will be the flanged edge. The following figures describe a right-hand side of a gable end; the left hand will be opposite. In this example, at the peak, the RH side is the front of the house, so its cut edge will be exposed.
8. Position the flange of a speed square against the soffit flange (or along the edge where the LONG point will be) as seen in Figure 11-13. With the square corner of the speed-square against the edge at the length desired, pivot the speed-square at the 90° corner until the "5" on the "Common/Top Cut" (red) scale is aligned with the same edge (e.g. flanged edge). Draw a line along the short edge of the speed square on the face of the fascia.



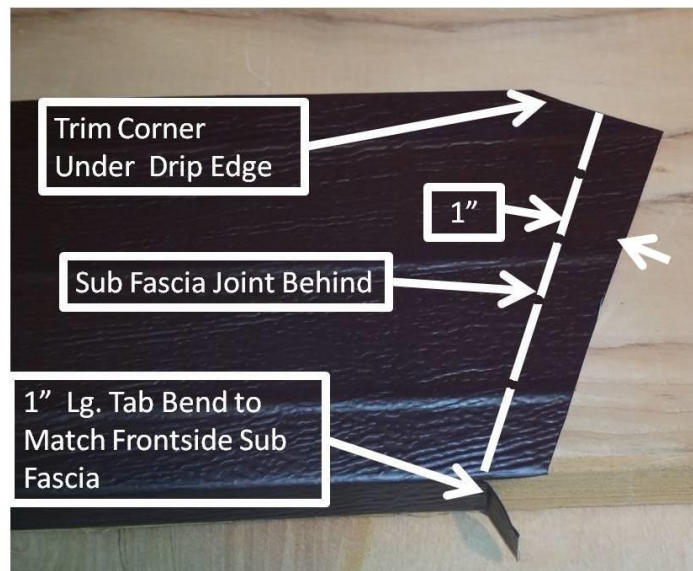
**Figure 11-13. Marking Gable Eave End Fascia Angle.**

9. Cut the fascia on this line; once installed, the cut edge will be vertical and will match the eave fascia corner. For reference, the blue scale indicates degrees; a 5:12 pitch aligns with 22.5°. Figure 11-14 shows the resulting piece after being cut to the correct angle.



**Figure 11-14. Eave End Gable Fascia.**

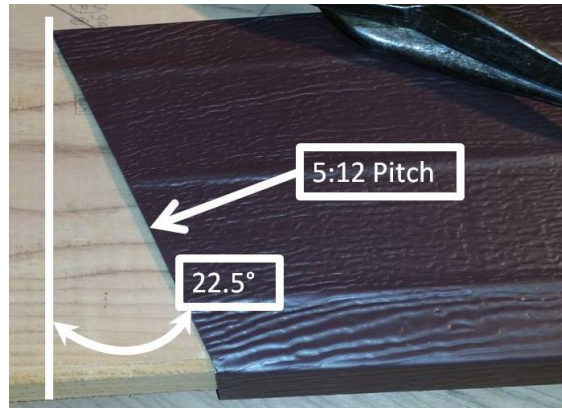
10. At the peak, first cut a piece for the back side of the gable. This piece extends 1" past the sub fascia joint at the peak, and the factory edge will overlap the lower piece of fascia by 1½".
11. Measure from the top of the peak to the end of the fascia already installed and add 2½". Measure that distance from the appropriate factory end on the fascia and mark the top edge.



**Figure 11-15. Gable Peak Back Side Fascia.**

12. At the peak, the top edge of the fascia (under the roof drip edge) will be longer than the flanged edge. Follow the procedure in Step 8 above, but with the speed-square against the fascia top edge (again, the edge with the "long" point of the angle-to-be), to mark and cut the proper angle.

13. Cut the flange and trim the top corner as shown on Figure 11-15, and bend the tab to match the front-side gable angle. This small tab will cover the bottom of the joint and the top corner is trimmed to prevent any interference with the drip edge.
14. Install this piece with the flange bend snug to the bottom of the sub fascia joint.
15. Finish the peak with fascia on the front side. This piece's factory end will overlap the lower fascia by 1½". At the peak, it will have a finished 5:12 cut aligned with the peak and tight to the bend in the flange of the backside piece.



**Figure 11-16. Gable Peak Front Side Fascia.**

16. Measure from the end of the lower fascia piece to the peak and add 1½". Measure this distance from the appropriate factory edge and mark the top edge. Align the speed square 90° corner with this mark to mark and cut the necessary angle. See Figure 11-16 for the right-hand peak end cut.

## **11.6. INSTALLING SHUTTERS**

1. Shutters are held in place by shutter pins attached to the siding. Pins should be cut to a length of 2¼" (the combined thickness of the shutter plus the siding) to prevent them from completely penetrating the foamboard.
2. Count the pins before drilling any holes. Different size shutters may require different numbers of pins. Use the number provided in the kit.
3. Locate and drill holes for the pins in the shutter according to the manufacturer's instructions. Then, with the shutter held in the correct installation position, use the shutter as a template to mark and drill holes for the pins through the siding. Take care to not drill all the way through the foamboard behind the siding.

## **11.7. SITE CLEANUP**

1. On the last day of siding, the lot must be cleaned up for final grading and lawn preparation.

2. All returnable materials must be separated into piles - “wood” (lumber, OSB, I-joist, etc.), “siding-related” (vinyl and starter strip), and “metal” (soffit, F-channel, fascia, etc.) - and neatly stacked and covered with tarps. Neatly stack leftover cut siding pieces (longer than ~3') in the shed.
3. All usable scrap lumber or wood having nail holes, or too dirty to return, should be stacked near the recycle barrels to make it easy for the Logistics Crews to access it to take to another work site.
4. For future workdays, take a variety of the following from the scrap wood pile and place under the basement stairs (take from the returnable pile if there is not enough scrap):
  - Three to four full-length 2x4 studs;
  - Six to eight pieces of 2x4 or 2x6, 3'-5' long;
  - ½” and ¾” OSB scraps (six to eight small- to medium-size pieces).