

Quick Reference Guide

March 2019
Version 2019.0

Chapter 9 Installing Exterior Door Weatherproofing, Hardware

Install Weatherproofing and Seal the Door	<ol style="list-style-type: none">1. If threshold covers are not available, temporarily protect the <u>wood</u> (not the aluminum) portion of the threshold with two or three layers 2" blue painter's tape2. Apply 4"- or 6"-wide Weathermate™ Straight Flashing to foamboard and side of brickmold (so it will be completely covered by siding J-channel). To facilitate:<ol style="list-style-type: none">a. Use a short 2x4 or 2x6 block as a template to mark a line on the wall 3½" or 5½" from the brickmold.b. While gradually peeling back the release paper, align edge of tape to line, and stick edge to <u>foamboard</u>.c. Progressing down the wall, use speed square or putty knife to press tape to wall and into cornerd. Finally, press edge of tape to brickmold, making sure it is:<ol style="list-style-type: none">i. Tucked tightly into the corner andii. Attached tightly to both surfacesiii. This should result in ~ ½" of tape on side of brickmolde. Apply tape to sides first and then top (shingle style)<ol style="list-style-type: none">i. On sides, tape can be applied shingle style but must be at least 20" in lengthii. Top piece must be in one piece and must extend past outside edge of side pieces3. Install bottom "Corner Seal Pads"
Install Hardware	<ol style="list-style-type: none">4. Install lockset and strike plate per instructions.<ol style="list-style-type: none">a. Be sure door latches easily but tightly with little rattleb. If it rattles. Bend tab inside the strike plate with flat blade screwdriver5. Install the security deadbolt strike plate (not that provided with lockset).<ol style="list-style-type: none">a. Set strike plate in place, predrill into Jack stud with 3/16" bit, secure with two large screws providedb. Make sure deadbolt is installed so top of lever turns in the direction of bold travel. If it does not, remove deadbolt from door, rotate 180° and reinstall6. Install lockset per instructions and make sure lockset and deadbolt key direction is the same (notches up). See Fig. 9-2 (Reverses side). If not:<ol style="list-style-type: none">a. Unlock the lock and insert the key <u>half-way</u> (do not insert completely)b. Push in retainer pin (H) on neck of knob, pull knob just past the pinc. Holding knob, rotate cylinder (J) to correct orientationd. Push in pin and push knob back in place.7. Verify Lockset and deadbolt operation. Adjust as needed for easy operation, door closes snugly, latches with little effort, deadbolt engages/disengages easily and moves in same direction as top of lever
Install Window Trim Caps	<ol style="list-style-type: none">8. For doors with a window, install white plastic trim caps<ol style="list-style-type: none">a. Be careful to install in correct orientationb. Install by hand until almost flush, then with shim and hammer until flush with trim surface

Quality Points

Chapter 9 Installing Exterior Door Weatherproofing, Hardware

- Threshold protected with threshold cover or three layers of 2" blue painters tape.
- Weathermate™ Straight Flashing installed tightly in joint between brickmold and foamboard
 - Tape covers ~ ½" of side of brickmold
 - Tape shingled on sides and over top
- Bottom corner seal pads tightly installed
- Door latches firmly, snug to weatherstripping, and does not rattle
- Deadbolt security strike plate installed with long screws
- Deadbolt moves in same direction as lever
- Latch set and deadbolt key notches are both up
- White window trim caps installed—tight and properly oriented.

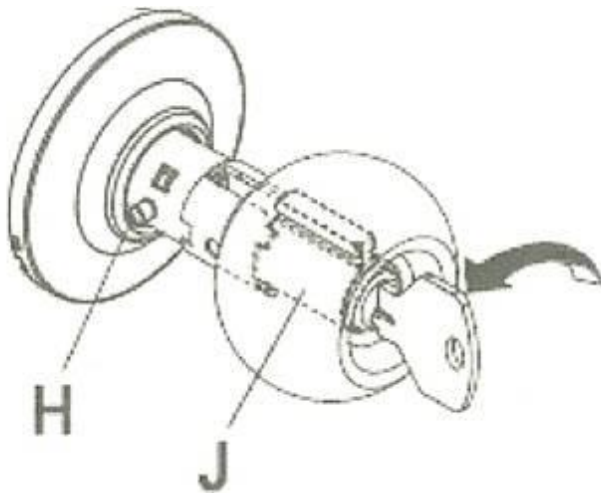


FIGURE 9-2