

## Chapter 7. Roof Framing

- 7.1 ROOFING PREP WORK
- 7.2 INSTALLING ROOF TRUSSES
- 7.3 INSTALLING PORCH TRUSSES
- 7.4 SHEATHING ROOF
- 7.5 INSTALLING SUB-FASCIA
- 7.6 BUILDING AND INSTALLING SCUTTLE BOX
- 7.7 INSTALLING LATERALS AND X-BRACING
- 7.8 INSTALLING TRUSS TIMBER SCREWS AND L-CLIPS

### Tools needed by volunteers:

Hammer  
Nail apron  
Tape measure  
Square  
Utility knife  
Pencil

### Materials needed:

Roof trusses  
1" foamboard  
4x8' OSB  
2x4 lumber  
2x6 lumber  
16d nails  
8d nails  
TimberLok® screws  
H-clips  
L-clips

### Tools and equipment needed:

Generator  
Extension cords  
Circular saw  
Saws-all  
Air compressor  
50' tape measure  
6' level  
Framing square  
Chalk line  
String line  
Planks  
Ladders

### Personal Protection Equipment:

Fall protection harness (required)  
Safety glasses (required)  
Hard hat – below roof (required)

**Safety First! Review the Safety Checklist before performing tasks in this chapter.**

## 7.1. ROOFING PREP WORK

### 7.1.1. Installing Planks

1. Install a plank along the center of the house for the center truss installer to walk as trusses are installed. The plank is installed on top of interior door headers and other bracing as required. This is a 24' plank that starts at one end of the house and will be moved to the other end as the truss installation progresses. The plank needs to be supported at three points in either location.
2. Install 2x6 blocking along the top of both gable end walls (continuous along the entire length) with 16d (or 3¼" Paslode) nails staggered every 12". Hold the 2x6 back 1½" from the outside of the top plate (using a scrap 2x as a guide works well). The 2x6 overhangs the plate on the interior side of the wall and serves as sheetrock blocking.

### 7.1.2. Gable End Trusses and Porch Gable Truss Prep

#### 7.1.2.1. Build Gable Sub-fascia Ladder

1. The steps that follow describe building a ladder to form gable roof overhangs. A "ladder" is built using 2x6s. The sub-fascia is the "outside" leg of the ladder, another 2x6 is the inside leg, and 2x6 blocks 6" long are used as rungs.
2. Measure from the peak of each gable end truss to the tail. This is the total length of the sub-fascia. Check the roof pitch on the house plan. Cut long 2x6 pieces for the SUB-FASCIA to match the length and angle (4/12 pitch = 18.4°; 5/12 pitch = 22.5°; 6/12 pitch = 26.6°) of the top chord of the gable truss and mark them for location. DO NOT use material with a pronounced crown. Since two pieces of 2x6 are usually needed, make sure to seam the two pieces, with a butt joint, in the middle of a double sub-fascia spacer block.
3. For both gable end trusses, and the porch gable truss (if required) - cut INSIDE 2x6s to match the sub-fascia length above less 32", with an angle cut on the peak end to match the roof pitch. These pieces will go against the truss foam once the ladder is completed. Lay the inside 2x6 on a corresponding sub-fascia 2x6, with the angled ends and top edges flush. From the peak of the matched angle cuts, measure and mark the top edges for sub-fascia spacer blocks. The first mark is at 2" and then every 32", with the last one flush with the square end of the inside 2x6 (not necessarily at 32"). At each mark, put an X on the side opposite the peak end. Make a mark for a double block where the butt joint of the 2x6 sub-fascia will be located.
4. Count the number of marks made on all three trusses. Cut that many 2x6x6" sub-fascia spacer blocks (using scrap).

5. For each gable end truss, assemble the blocks, sub-fascia and inside 2x6s from Steps 2 through 4 above. Align each end of the block with the layout mark and flush with the edges of the sub-fascia and inside 2x6s. Nail together using two 3¼” Paslode nails through the long 2xs into the end of each block (similar to building a stud wall).

**NOTE:** Each gable requires a right and a left hand “ladder”; be sure to assemble each “ladder” with the inside 2x6 arranged in the correct orientation.

6. Set the assembled ladder aside until the gable ends are covered with foam. Install the ladders in Section 7.1.2.2.4, below.

### 7.1.2.2. Gable Truss Prep

1. Install the pre-cut 18” wide roll of housewrap the length of the bottom chord of the gable end truss. Staple the housewrap flush with the top of the bottom chord and let it hang down.
2. Cover the factory-installed OSB with ½” foamboard, using as much scrap as possible and being sure NOT to create any horizontal seams. Secure with 1” button nails spaced about 12” apart. Tape all the seams with Weathermate™ Construction tape (shingle style). To ease siding installation, on the face of the foamboard, mark the locations of the vertical gable end truss chords using a Sharpie or other marker.
3. The porch gable-end truss does not require foamboard. Instead, cover the factory-installed OSB with housewrap. Overlap any required seams shingle-style.
4. Attach the inside 2x6 side of the “ladder” built in Section 7.1.2.1 to the top chord of the gable end truss with a 3¼” Paslode nail at both ends and between every block, keeping the top edges flush and the angled end aligned with the truss peak. Then, add a pair of 3½” screws through the 2x6s into the truss top chord between each block and at each end.
5. Nail the sub-fascia ends to each other at the peak using 3¼” Paslode nails. Keep the face and peak aligned when nailing.
6. On one side of the center vertical truss chord, and as close to the top as possible without cutting into the truss framing, cut an opening in the OSB with a 4” hole saw for a crane lifting sling to be inserted.

**NOTE:** To avoid cutting the framing members, cut the sling hole from the back side of the truss

7. After the truss is covered with foamboard, fold the housewrap back over the top of the foamboard and secure it with a few pieces of Weathermate™ Construction tape. This ensures it will not be in the way during installation of the truss.
8. On the inside face of the top chord of the non-zero end gable truss, nail scrap 2x4s using 3¼” Paslode nails every 12” from the peak down to both tails of the truss.

**NOTE:** Since the spacing between this truss and the one next to it is more than 24” o.c., this extra 2x4 provides the correct spacing to support the roof sheathing.

### 7.1.3. Installing L-Braces

1. L-braces are used to support the gable-end truss at each end of the house during installation, and should be located within 2’ of the center plank installed in Section 7.1.1. They **must be installed so that they don’t interfere with the sub fascia** when the truss is tipped up into position. L-braces are attached to a wall stud for adequate support.

**NOTE:** If there is a gable end porch, the L-brace must be installed far enough away from the porch frame so it doesn’t interfere with installation of the porch trusses.

2. To determine the correct height of the L-brace above the top plate, locate a wall stud within 2’ of the center plank location, mark the stud for future reference, and locate it on the exterior of the house. Measure the distance to it from the outside corner of the house.
3. Take that measurement to the truss to be used on that gable end, and measure that distance from the heel and make a mark. Then, at that mark, measure the vertical distance from the bottom of the bottom chord to the top of the top chord. Subtract 16” (to ensure adequate clearance for the gable sub-fascia) and mark the L-brace that distance from the top end.
4. Install the L-brace at the stud marked earlier, with the 2x6 face against the wall and the mark from Step 3 above even with the top of the top plate. Double check the height of the top of the L-brace above the top plate, and attach it to the wall using two Timber screws into the stud about a foot above and below the mid-height of the stud. Then, at the top plate, slide a ¼” spacer behind the L-brace (to ensure adequate space for the bottom chord) and run three 6” Timber screws into the upper and top plates (one in one, two in the other). Finally, install one more screw into the rimboard.

### 7.1.4. Marking Wall Top Plates for Trusses

1. Beginning at the zero end, mark the locations of the trusses on the top plates of both eave walls 24” o.c. Confirm that the truss markings are positioned such that the

truss is bearing completely over a stud or header. At the opposite end of the zero corner, the measurement from the last common truss to the gable end truss will be more than 24" o.c. Mark that measurement on the plate - it will be used when sheathing the trusses.

### 7.1.5. Selecting and Cutting Lateral and X-Bracings

1. For lateral bracing, select enough long 2x4's to total twice the length of the house. Mark them as laterals and set aside.
2. For X-bracing, select eight 2x4's, each at least 12' long, and cut an approximate 20° angle on both ends. Mark them as X-bracing and set them aside with the lateral bracing.

## 7.2. **INSTALLING ROOF TRUSSES**

1. **HARD HATS ARE REQUIRED ON ANY GROUND CREW.**
2. Lift the first gable truss up to the installer(s) on the planks.
3. When setting and standing the first gable truss, have a person on each end of the truss measure from the top plate to the end of the truss tail. When doing this, move the gable truss so that the overhang measurement is the same on each side (for example: 22¼" on each side). When that gable truss is set, set the rest of the trusses using the overhang measurement established on the first gable truss.
4. Have the same person measure from only one side, the same side every time. Always use the eave end with longest run (usually the back of the house).
5. Attach the gable end truss to the L-brace support using two 4" timber screws about 12" apart so it cannot fall back on the installers. With the truss tight against the top plate and blocking, screw 4" TimberLok screws through the bottom chord into the blocking or top plate every 2'-3'.
6. Lift and install the first common truss in place. Install a 2x4 (longer than the span between the two trusses) pre-nailed spacer near the top of the gable and common truss. The space between the gable truss and first common truss is to be the same as measured between the two at the top plates. This secures the trusses together with the proper spacing and holds the trusses from tipping during installation.
7. Using a 2x4 stud, nail one end near the top of the gable truss down through the first common truss and nail the bottom end to an interior wall top plate after the gable truss is plumb. Locate the lower end of the diagonal support so that it does not interfere with the bottom chord of the next truss. This safety measure ensures the trusses cannot tip back into the house while truss installation continues.

8. Install all common trusses as in Step 4 above. Use the metal truss-lock braces to secure the peak of each truss. These braces will also ensure maintenance of 24" o.c. spacing.
9. When 50-75% of the trusses are installed, slide the lateral and X-bracing into the trusses. The second gable truss can then be installed, braced and secured in the same manner as the first gable end truss.
10. The rest of the common trusses can be stacked (leaned and secured) against the gable end truss and then installed as the other common trusses have been.

### **7.3. INSTALLING PORCH TRUSSES**

1. On the side of the house where the house and roof porch are common, continue the 24" o.c. layout of roof trusses from the house to the front of the porch.
2. Nail pieces of scrap 2x4 spaced 1½" from the front face to the top of the porch framing to serve as blocking for the porch gable truss bottom chord.
3. Make certain the gable porch truss sheathing has been installed and install the first porch truss on the continuing 24" truss layout.
4. The remaining porch trusses are nailed at the 24" layout marks and the gable porch truss is set in place flush to the edge of the porch framing.
5. On houses with a porch at the gable end, a 2x4 may need to be nailed against the house's gable truss, even with the top chords of the other porch trusses, to support the edge of the porch roofing.

### **7.4. SHEATHING ROOF**

#### **7.4.1. Cutting Full-Width Row OSB Roof Sheathing**

1. Refer to Figures 7-2 and 7-3, below, which show examples of the roof sheathing layout for a 36' and 30' long roof, respectively. Note that each **odd** row has a **34" piece** at the zero end, and each **even** row has a **58" piece** on the zero end. Also, note that the **bottom row** is not full-width. The size of these **bottom row** pieces will be determined in Section 7.4.2.
2. Cut four full sheets into 34"/62" pieces, and four more sheets into 38"/58" pieces. Label each piece with the size, using a red crayon.

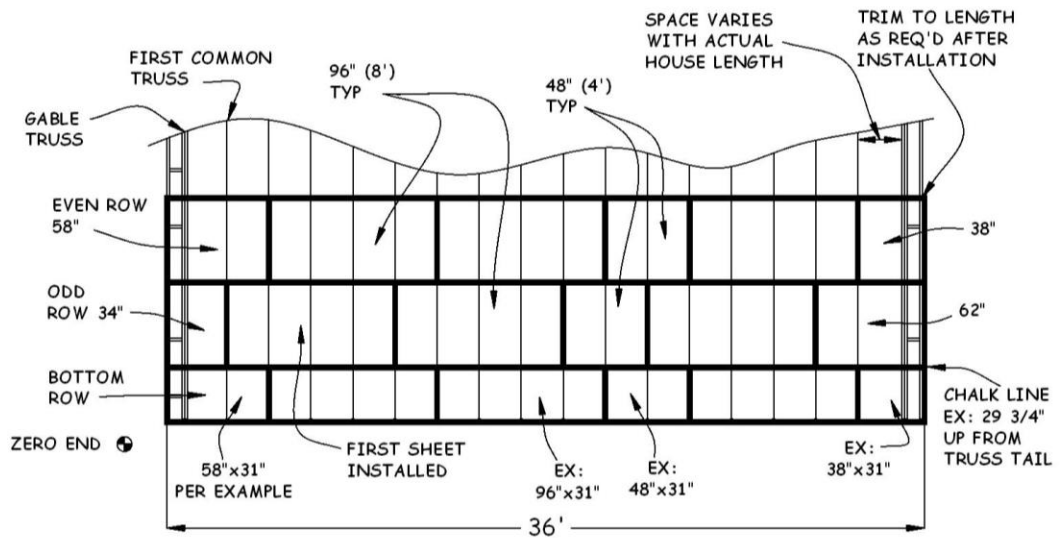


Figure 7-2. OSB Layout for 36' Roof.

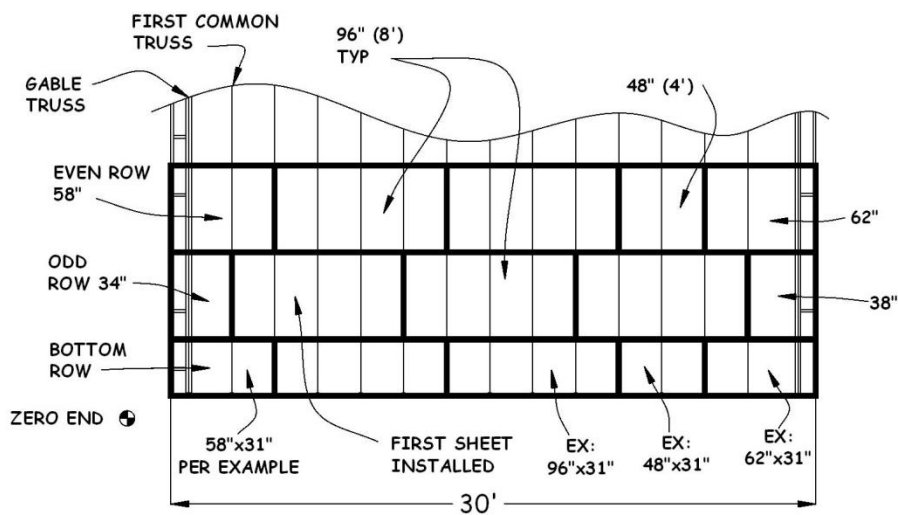


Figure 7-3. OSB Layout for 30' Roof.

- Place two 34" and two 58" pieces on each eave side of the house at the zero end, and two each of the 38" and 62" pieces on each eave side of the non-zero end. There are typically 4 rows of sheathing on each side of the house, or 8 rows total. As shown in Figures 7-2, 7-3, and Table 7-1, the 62" and 38" pieces are used on the non-zero end, but not necessarily in the same row as its corresponding cutoff.

**Table 7-1. OSB Roof Sheathing Cut List.**

Total Roof Length*	Odd Rows				Even Rows				Totals for 4 Full Width Rows	
	Zero End	Full Sheets	# of "4s" Req'd	Non-Zero End	Zero End	Full Sheets	# of "4s" Req'd	Non-Zero End	Total # of Full Sheets	Total # of 4s
20	34	1	1	62	58	1	1	38	8	8
22	34	2	0	38	58	1	1	62	12	4
24	34	2	0	62	58	2	0	38	16	0
26	34	2	1	38	58	2	0	62	16	4
28	34	2	1	62	58	2	1	38	16	8
30	34	3	0	38	58	2	1	62	20	4
32	34	3	0	62	58	3	0	38	24	0
34	34	3	1	38	58	3	0	62	24	4
36	34	3	1	62	58	3	1	38	24	8
38	34	4	0	38	58	3	1	62	28	4
40	34	4	0	62	58	4	0	38	32	0
42	34	4	1	38	58	4	0	62	32	4
44	34	4	1	62	58	4	1	38	32	8

\*Total Roof length = Plan House length + 2 feet

- Depending on the length of the house, a 4' piece may also be needed in the middle of the row to reduce scrap and to maintain the stagger of the joints between sheets. In the 36' example in Figure 7-2, a 4' piece is required in each row. Figure 7-3 shows a **4' piece** in **even rows** only. Referring to "**Total # of 4s**" in Table 7-1, determine the number of 4' pieces required. Cut full-width sheets in half to obtain the required number, label with the size, and place half of them on each eave side of the house near the middle.
- Referring to "**Total # of Full Sheets**" in Table 7-1, determine the number of full sheets required. Place half of this number on each eave side of the house near the middle.

#### 7.4.2. Planning OSB Roof Sheathing

- Roof sheathing is installed with a 1¼" overhang past the truss tails. At the peak, a 2" opening is required for adequate attic ventilation. Any non-full-width row must be located at the bottom of the roof so the sub-fascia can provide adequate support. The following describes how to determine the number of rows of full-width (FW) sheets, the width of the bottom row, and the location of the chalk line to mark the bottom of the first FW row.
- Determine the number of rows of sheathing required by measuring the length (in feet and inches) of a truss top chord. Subtract the nearest lesser multiple of four from the feet portion. Divide the multiple subtracted above by four; the result is the number of FW rows. Subtract 2" from the remainder; the result is the location of the lower edge of the first FW row, measured up along the top edge of the truss tail. Then add 1¼" to this number to get the width of the bottom row (see Example in Table 7-2).



3. Use Table 7-1 to determine the number and sizes of sheets required for the appropriate length even row, and, for each side of the house, cut that number to the width calculated in Step 2.
4. Measure up from the tail and mark the location of the chalk line (bottom of first FW row) on each gable truss. Snap a chalk line from these marks across all the trusses. This line is the guide for the installation of the bottom edge of the first full-width row of OSB sheathing.

**Table 7-2. Example Roof Sheathing Calculations.**

<u>18'-7<sup>3</sup>/<sub>4</sub>"</u>	<u>Length of truss top chord</u>
<u>- (16'-0")</u>	<u>Subtract nearest lesser multiple of 4; 16 ÷ 4 = 4 FW rows</u>
<u>= 2'-7 <sup>3</sup>/<sub>4</sub>"</u>	<u>Remainder</u>
<u>- 2"</u>	<u>Subtract 2" – Ventilation gap at peak</u>
<u>= 2'-5<sup>3</sup>/<sub>4</sub>"</u>	<u>Bottom of 1<sup>st</sup> full-width row, chalk line location (29<sup>3</sup>/<sub>4</sub>")</u>
<u>+ 1<sup>1</sup>/<sub>4</sub>"</u>	<u>Add 1<sup>1</sup>/<sub>4</sub>" - amount sheet overhangs eave sub-fascia</u>
<u>= 2'-7"</u>	<u>Width of bottom row (31")</u>

### 7.4.3. Installing OSB Roof Sheathing

1. For the first row, install a full-width 8' long piece of OSB with the bottom edge aligned with the chalk line and one end centered on the second truss from the zero end. With 8d nails, nail the top corner of the sheet at the second truss, then check the alignment of the bottom edge with the chalk line, center the other end of the sheet on its truss, and nail that bottom corner. At the top of the sheet, align the corners with the centers of their trusses and nail. Measure from the edge of the second truss and mark on the upper edge of the sheet every 24". Adjust each truss to its mark and nail.
2. Repeat for each subsequent sheet, nailing the top of the sheet only. Align one top corner with the adjacent sheet, and the diagonally opposite corner with the chalk line at the bottom, and nail the top corner adjacent to the previously installed sheet. Center the other top corner on its truss, recheck the alignment of the bottom with the chalk line, and nail the top corner. Measure the 24" truss spacing from a nailed truss that is not at a joint between sheets. Nail into each truss along the top of the sheet with 8d nails. DO NOT nail the bottom of the sheet at this time, since the tails will need to be straightened and spaced correctly before nailing. The sheet is secure so there is no need to nail any more than this at this time.
3. Before nailing the OSB at the gable end truss, be sure the gable truss is straight. At the wall top plate, measure between the gable truss and the adjacent common truss, and maintain that spacing between the gable truss and adjacent common truss for each sheet of OSB installed. As a check, have the ground person sight along the gable truss, since the adjacent truss may not be straight.

**NOTE:** The distance between the zero end gable truss and the first common truss is 21¾". The distance between the last common truss and the non-zero gable end truss is more than 24" and will depend on the actual house length.

4. Place H-clips on the OSB between each truss and start the second course (row) using the OSB piece cut earlier to stagger the OSB joints.
5. Finish nailing the sheets with the pneumatic nailer using 2¾" Paslode nails on every truss – seven nails on the edges and five in the field intervals. Check under the sheathing to make sure the nails hit the trusses.
6. Before nailing the OSB at the gable edges, sight along the gable sub-fascia and straighten as required, then nail the OSB edge into the sub-fascia using the prescribed pattern.
7. If the OSB extends beyond the gable end sub-fascia, trim the edge flush to, or up to ¼" short of, the outside face of the sub-fascia. Locate and mark the sub-fascia face on the OSB and snap a chalk line. Cut using a circular saw set to ½" depth.

## **7.5. INSTALLING EAVE SUB-FASCIA**

1. On the eave side of the house, position a long 2x6 sub-fascia, crown up, tight to the underside of the sheathing. Extend one end flush to the outside face of the gable end sub-fascia, making sure the other end is centered on a truss tail. Cut to length as required. Nail the 2x6 to the ends of each truss with two 16d nails. Repeat at the other end of the eave side and then fill in between them until the eave is finished.
2. From the ground, sight along the eave sub-fascia and straighten the sub-fascia as required for appearance. Take extra time to do this. A straight piece of fascia will look better against the gutter, while crooked or wavy sub-fascia will stand out.
3. Once the sub-fascia is straight and true, nail the OSB to the eave sub-fascia using 8d nails on 8" intervals.

## **7.6. BUILDING AND INSTALLING SCUTTLE BOX**

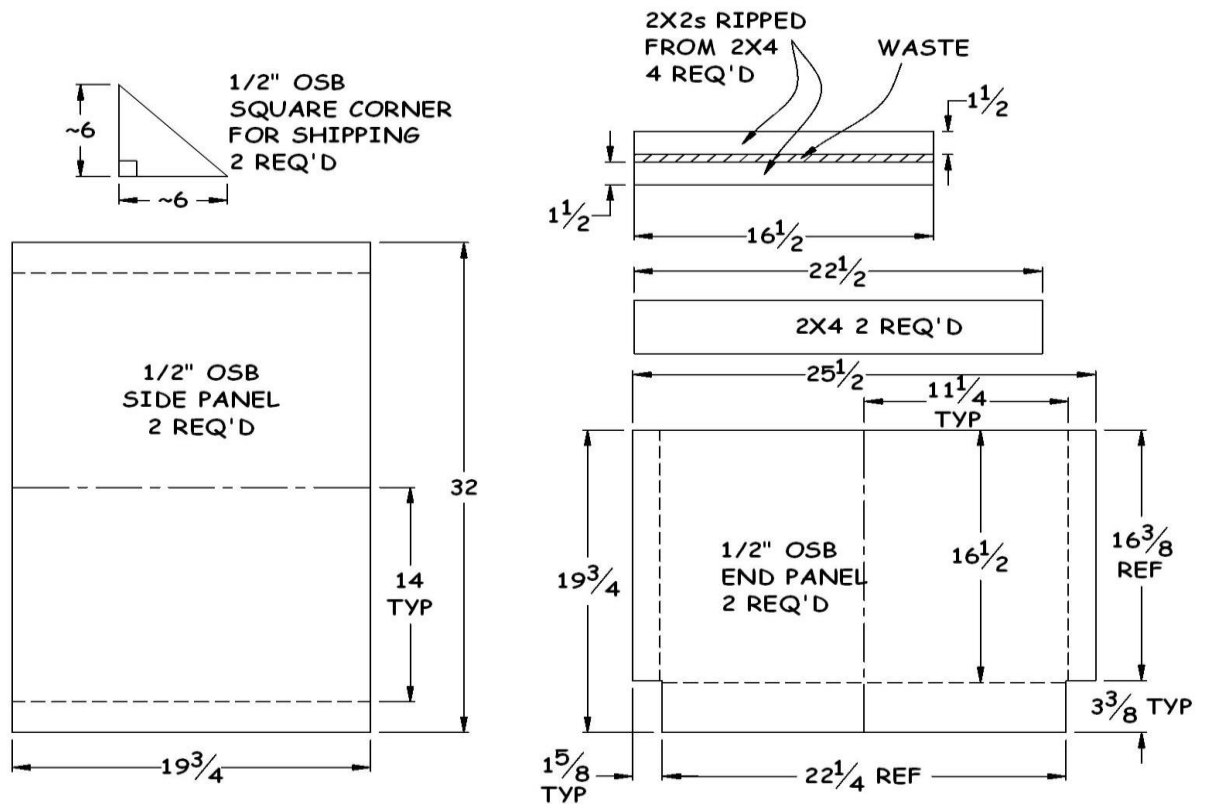
### **7.6.1. Building Scuttle Box**

1. Typically, the scuttle box is pre-built and delivered to the site prior to the day it is to be installed. However, if it has not been built, use the following instructions to build one. See Figure 7-4 for a picture of the finished scuttle box and Figure 7-5 and Figure 7-6 for schematic drawings.



**Figure 7-4. Scuttle Box.**

2. Cut four pieces of OSB: two sides, each 32" wide by 19<sup>3</sup>/<sub>4</sub>" high and two ends, each 25<sup>1</sup>/<sub>2</sub>" wide by 19<sup>3</sup>/<sub>4</sub>" high.



**Figure 7-5. Scuttle Box Cut Diagram.**

3. On the smooth face of the OSB end pieces, draw a line 16½” down from the top edge. Find the centers of the two 25½” edges and draw a line on the rough face between them. Then draw two parallel lines on either side of the centerline 11¼” from it to locate the inside edge of the 2x2s.
4. On the smooth face of the side pieces, locate the center of the two 32” edges, and draw parallel lines 14” to each side of that centerline. These lines will be used to locate the inside edge of the end piece at assembly.
5. At the bottom (non-factory) 25½” edge of each end piece, cut a notch 1⅝” wide by 3⅜” high in the two corners. This leaves a tab 22¼” wide at the bottom that will fit with a ¼” clearance between the truss bottom chords.
6. Cut two 2x4s 22½” long and two 2x4s 16½” long. Mark a centerline on the longer pair at 11¼” from each end.
7. Rip each 16½” piece into two 2x2s (1½” square).
8. On each OSB end piece, attach one of the 2x4s to the smooth face at the 16½” line and with the centerlines aligned using a pair of 1⅝” screws at each end and a pair in the middle. Check that the 2x4 extends below the OSB bottom edge, and that the 2x4 ends are slightly beyond the edge of each notch.
9. On the rough side of each end piece, attach a 2x2 even with the top of the 2x4 (flush with the top of the OSB) and aligned with the vertical line drawn earlier. Attach with 1⅝” screws, one at each end and one in the middle.
10. Assemble the scuttle hole by setting the factory edges of the two sides and two ends on a level surface to ensure that the top edges of the box will be flush with each other.
11. With all smooth sides facing inward, align the end piece 2x2s with the vertical lines on the sides, and screw the sides to the 2x2’s using 1⅝” screws, three in each joint. Keep the box square as the connections are being made.
12. Check that the box is square, place the square shipping corners tightly in two diagonally opposite corners atop the 2x4, and screw in place.

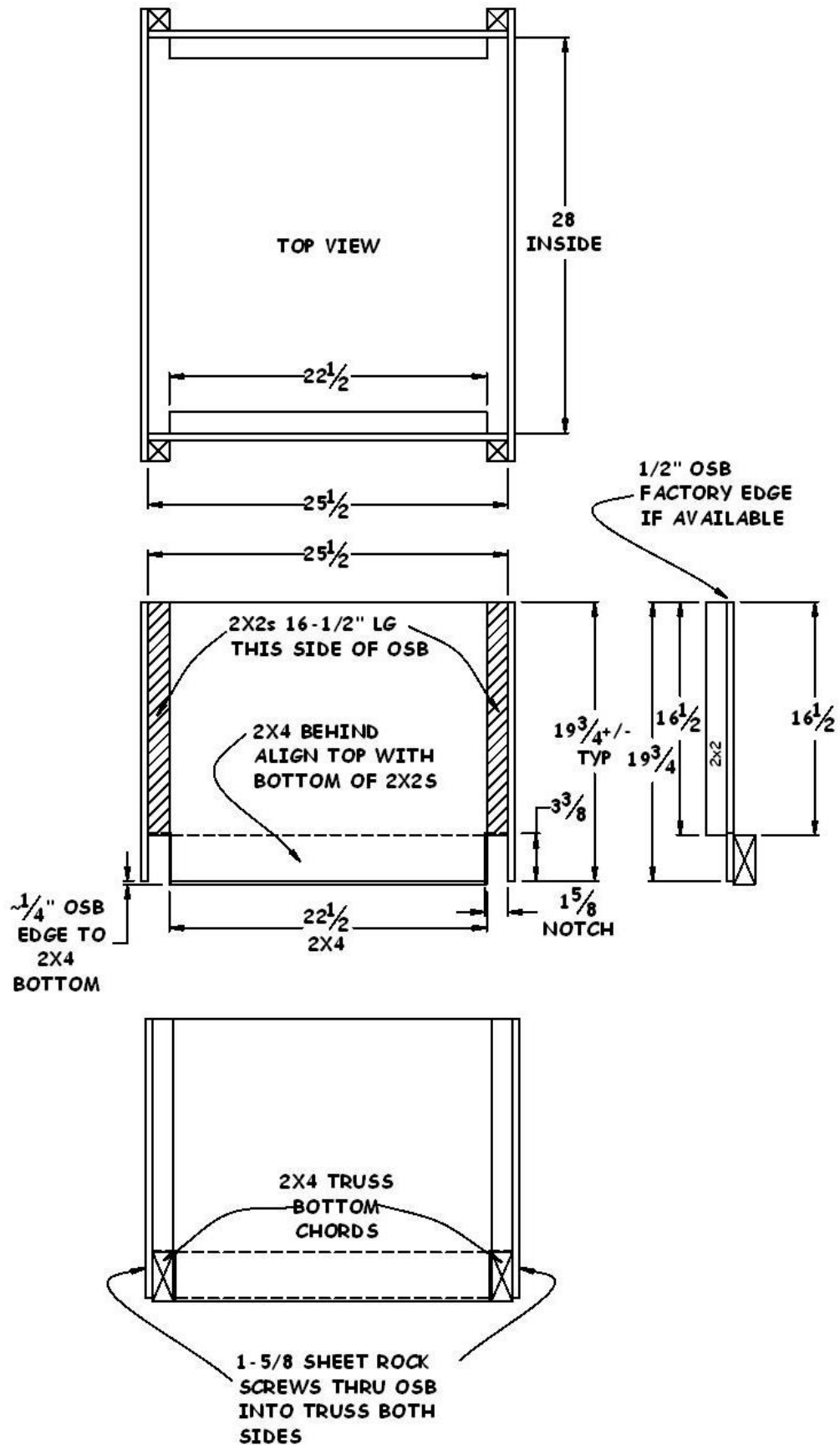


Figure 7-6. Scuttle Box Assembly.

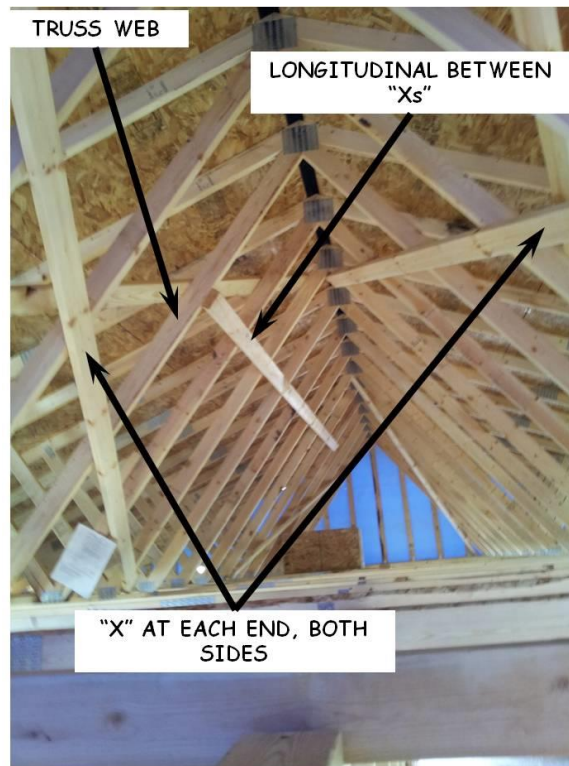
### **7.6.2. Installing Scuttle Box**

1. Lift the box (side-wise) into the attic and place it between the trusses in the location specified in the House Plan. Slide the assembled box along the trusses to optimize ease of access and clearance above.
2. Position the bottom of the scuttle box 2x4s flush with the bottom of the trusses and screw the bottoms of the side pieces to the truss cords with 1 $\frac{5}{8}$ " screws, four on each side. Using 16d nails, nail through the OSB and truss chords into the ends of the scuttle box's 2x4x22 $\frac{1}{2}$ " cross-pieces.
3. Remove the square shipping corners and give them to the Construction Supervisor.

## **7.7. INSTALLING LATERALS AND X-BRACING**

### **7.7.1. Installing Lateral Truss Bracing**

1. After trusses have been installed, two to three rows of long 2x4 lateral bracing are nailed across the tops of the bottom chords of the trusses with two 16d nails at each truss held to a 24" spacing for ceiling sheet rock installation. Lateral bracing can be spaced a maximum of 10' apart.
2. Check the location of the scuttle hole before installing the bracing. The bracing or location of the scuttle may need to be adjusted to prevent the creation of problems later.
3. Starting at one end, measure the distance at the top plates between the end truss and the first truss. In the center, set the first truss at this distance and nail the bracing to the outside end of the top plate and the first truss. From the first truss, measure and place a mark along the entire lateral brace so trusses will be spaced on 24" centers. Nail each truss in place with two 3 $\frac{1}{4}$ " Paslode nails, making sure the trusses are spaced 24" o.c.
4. When a second piece of 2x4 is needed, make certain that the lap spans back two trusses and continue the installation. Make certain that the installation runs parallel to the exterior wall to ensure the bracing is perpendicular to the trusses to ensure a square installation and 24" centers between all trusses.



**Figure 7-7. Truss Bracing.**

### **7.7.2. Installing X-Bracing**

1. After roof sheathing has been installed it is necessary to permanently install X-bracing (diagonal). This bracing prevents lateral movement of the truss system. The bracing is nailed to the truss webs as shown in Figure 7-7.
2. X-bracing uses 2x4's with ends cut to 22.5°. Install pairs of X-bracing at each end of the house. First, nail one 2x4 on the lower edge of the truss web, with one end butted up to the inside face of the gable end truss at the peak, and the other end at the top edge of a bottom truss chord (wherever the end falls). Using two 3¼" Paslode nails at each intersection of brace and web, nail the 2x4 from the peak of the gable end truss diagonally down the lower side of the common truss webs. Make certain the bottom end of the brace does not extend below the bottom truss chord or it will conflict with ceiling sheet rock installation later.
3. Nail a second 2x4 on the upper side of the same set of truss webs on the opposite diagonal forming an "X" with the first brace.
4. Repeat these steps on the remaining three corners of the house.
5. Connect the X-braces by nailing one long 2x4, horizontally, to the truss webs, about halfway down from the peak. Each end of the longitudinal bracing must be nailed to at least two truss webs to which an X brace is nailed (see Figure 7-7). If more than

one longitudinal 2x4 is required to span the distance, overlap at least two trusses where they meet.

## **7.8. INSTALLING TRUSS TIMBER SCREWS AND L-CLIPS**

### **7.8.1. Installing Truss TimberLok Screws**

1. In case of strong winds, TimberLok screws hold the roof firmly to the walls of the house. The screws are installed through both top plates and into the truss from below.
2. Install 6” TimberLok screws using a cordless impact driver with the correct nut driver bit and extension. Position the point of the screw at the **joint between the top of the stud and the** bottom inside corner of the double wall plate, centered on the truss, **and at about a 30° angle to the face of the stud** (aim for the screw to exit the top plate close to the center. Drive the screw, as straight as possible, through the double top plates and into the truss, making sure the screw does NOT break through the side of the truss (if so back it out and try again). The screw head must not protrude from the plane of the wall.
3. When a truss is over a header component, start at the interior side of the plate (¾” from the edge) and drive the screw into the truss from directly underneath the truss. If necessary, cut out a minimum amount of the foamboard to gain clearance.

### **7.8.2. Installing L-Clips**

1. L-clips are installed at the point where a roof truss intersects with an inside wall top plate. The purpose is to hold the two firmly in place.
2. Free standing walls must be plumbed before installing L-clips.
3. The shorter side of the clip is nailed to the top plate with joist hanger nails nailed tight.
4. The longer side with the slot going up takes just one nail. This nail is placed at the top of the slot and nailed tight with a joist hanger nail.